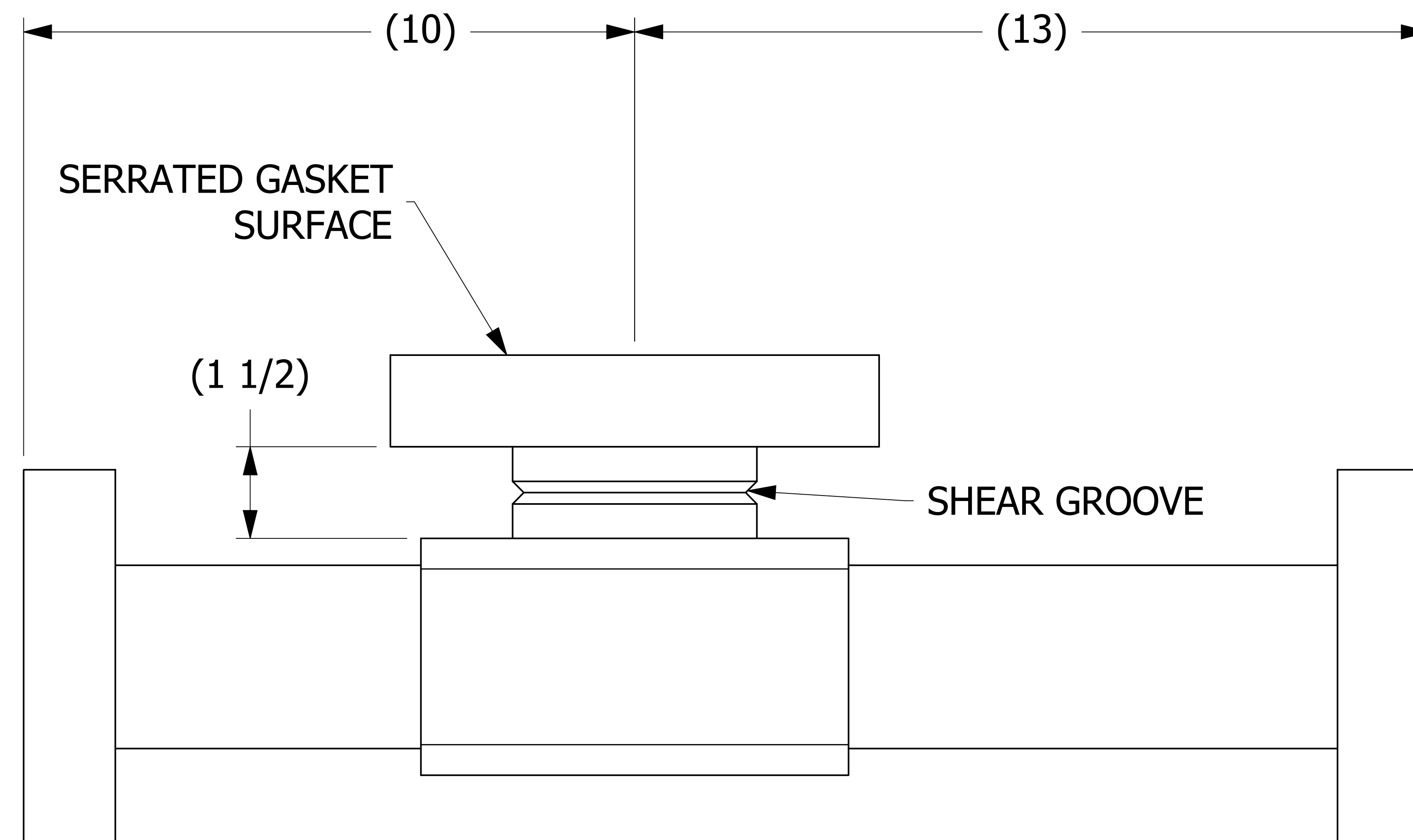
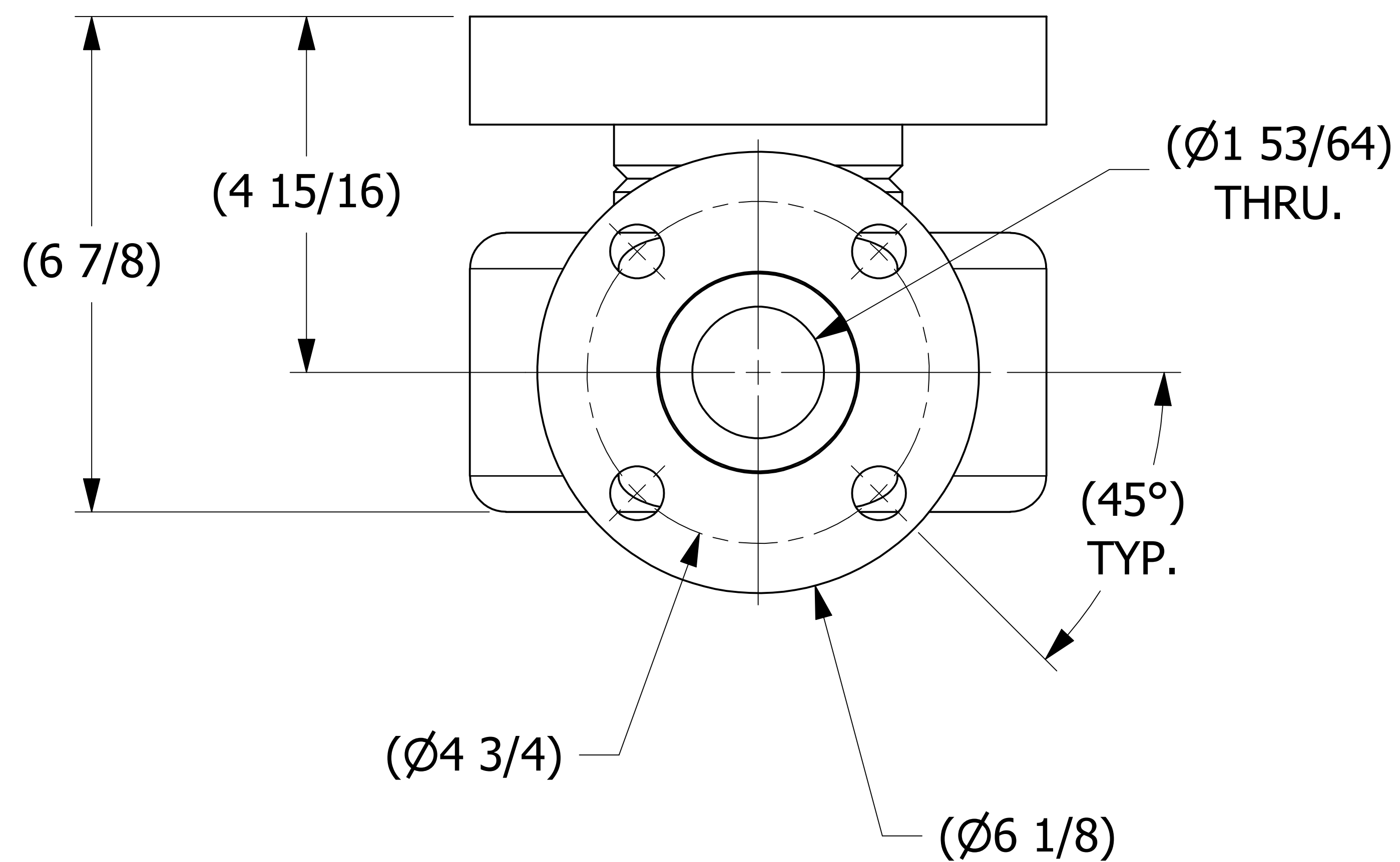
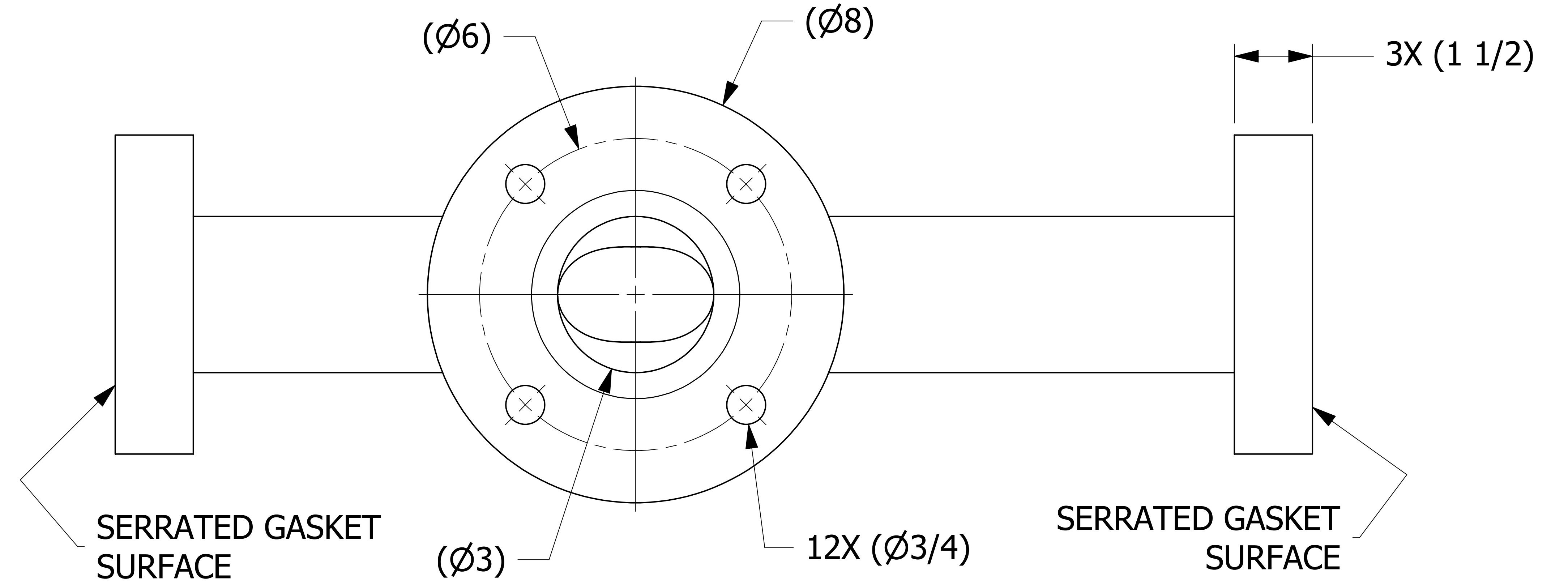


ISOMETRIC VIEW



SALES DRAWING SALES DRAWING

SALES DRAWING SALES DRAWING

B	RJP	11-5-15	REMOVED (1) A42371, ADDED A42688
A	TAK	9-23-15	RELEASED FOR PRODUCTION
REV	BY	DATE	DESCRIPTION

UNLESS OTHERWISE SPECIFIED DIMENSIONAL TOLERANCES FRACTIONAL: $\pm 1/16$ X.XX: $\pm .03$ X.XXX: $\pm .015$ ANGULAR: $\pm 1^\circ$ DEBURR ALL SHARP EDGES. ALL MACHINED SURFACES TO HAVE A 125 RMS FINISH UNLESS NOTED OTHERWISE. THIRD ANGLE PROJECTION	DRAWN BY: TAK	CHECKED BY: EJF	PROTOTYPE BY: TAK	PROTOTYPE DATE: 9/21/2015	APPROVED FOR PRODUCTION BY: TAK	PRODUCTION DATE: 9/23/2015
---	---------------	-----------------	-------------------	---------------------------	---------------------------------	----------------------------

<b>SALCO PRODUCTS, INC.</b>			
PART NAME: <b>PIPE TEE 3"X2"</b>			
MATERIAL: <b>SALCO PE</b>			
PROJECT #: <b>H150622</b>	SHEET #: <b>1 OF 1</b>	SCALE: <b>3:4</b>	
DRAWING #: <b>E42365</b>	PART #: <b>HS3X2PT2</b>		